

TriSeal™ heat sealer

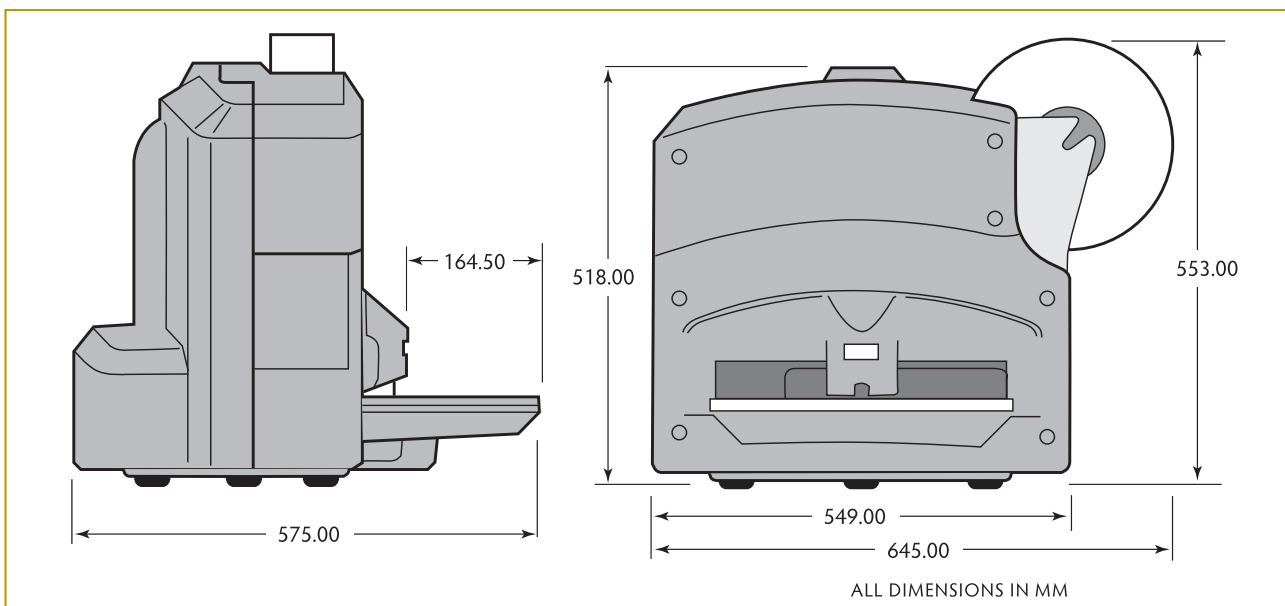
TriSeal is an automated plate sealer that can produce an accurate and tight seal on any SBS-standard microplate up to a maximum height of 45mm. The maximum obtainable throughput is an impressive five plates per minute, which is higher than any other sealing machine on the market. This is achieved using a unique turntable design, which allows simultaneous loading, unloading and sealing.

- Automatically adjusts to plate height
- Three position turntable design
- Easy foil or film loading
- Adjustable sealing temperature from 50°C up to 195°C
- Adjustable sealing time from 1.0 to 30.0 seconds
- Universal power supply, no transformer needed
- Only 8 bar of compressed air needed
- Easy automation with stacker/loaders or with LH robot via RS 232 port
- Stand alone keypad for easy operation and programming
- CE/UL marked
- Built in self-test and fault diagnosis software



TriSeal

Description	Qty/pack	Cat. no.
TriSeal heat sealer	1	229400
Fully automatic TriSeal system with Scorpion stacker/loader (right hand side)	1	Contact Porvair
UHTS TriSeal system with two Scorpion stacker/loaders (right & left hand sides)	1	Contact Porvair



For further information, or to place an order, contact Biosero:



T: 661-284-6650
F: 661-284-7583
E: info@bioseroinc.com

WWW.PORVAIR-SCIENCES.COM